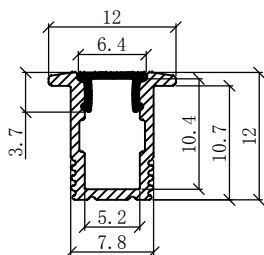
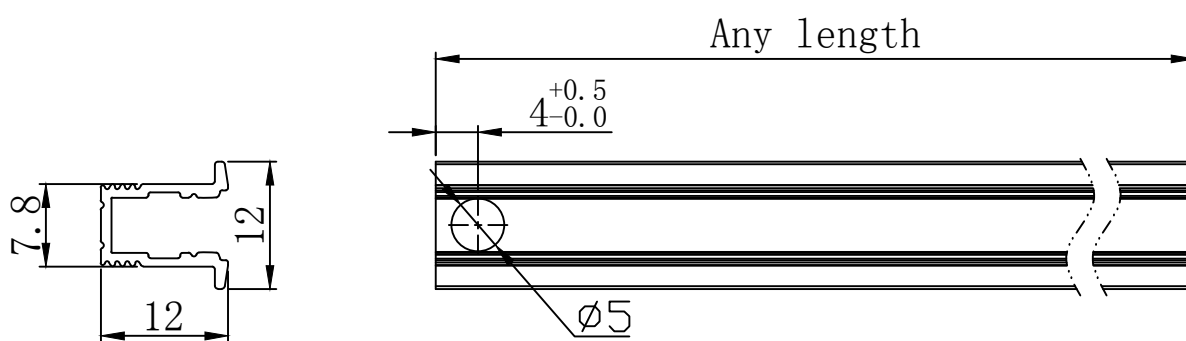


# LE1212 sectional view



# LE1212 recommended wire hole position of profile



# LE1212 assembling size

