

# Mounting bracket K-10

Ref. 24340



- Invisible mounting bracket
- Minimum dimensions

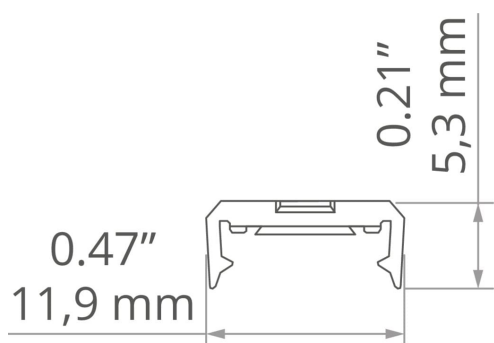
## APPLICATION

- for mounting LED lighting fixtures

## MONTAGE

- to the surface, using a properly selected screw
- to the lighting fixture, with hooks
- use screws with a countersunk head and a diameter of no more than 3.5 mm
- easy installation and deinstallation of lighting fixtures by snapping in and out

## TECHNICAL DRAWING



## TECHNICAL SPECIFICATIONS

Material	PC	Height	5.3 mm
Color	■ transparent non colored	Lifting capacity	7.5 kg
Width	11.9 mm		

# Mounting bracket K-10

Ref. 24340

## RELATED PROFILES



**LINO**  
B8287



**PIKO**  
B8288



**PIKO-ZM**  
C1168