

# Specification

**Model:** M9D1TB

**Description:**

1pcs 2835 SMD LEDs, 38.5\*19\*8.3, white housing, equipped with optical device, PVC injection series, bat wing light distribution, 12Vdc, constant current, LED module

**Prepared by :** \_\_\_\_\_

**Checked by :** \_\_\_\_\_

**Standard Dept :** \_\_\_\_\_

**Approved by :** \_\_\_\_\_

**Issued Status:**      Draft      Published

# Specification

**Product Name:** LED module

**Model:** M9D1TB

## Applications

Suitable for 8~20cm [3.14~7.87in] depth signage.

## Features

1. 2835 SMD LED with low attenuation and long life;
2. Standard cascading qty up to 50pcs;
3. Beam angle: 160° ;
4. Can be cut between every unit;
5. CE,RoHS,UL compliant.

## Installation

Via back adhesive for preliminary fixing, screws for permanent fixing.

## Warranty

5 years or 22,000 hours, whichever comes first.

## Optical and Electrical Parameters:

P/N	LED Color	Color Temperature (K)	Color Tolerance Adjustment (SDCM)	Beam Angle (°)	Luminous Flux (lm/piece)	CRI Ra	Working Voltage (V DC)	Luminous Efficacy (lm/W)	Working Current (mA/piece)	Power (W/piece)
M9D1TB	Pure White	6000	-	160	50	≥70	12	92.6	45	0.54

## Others:

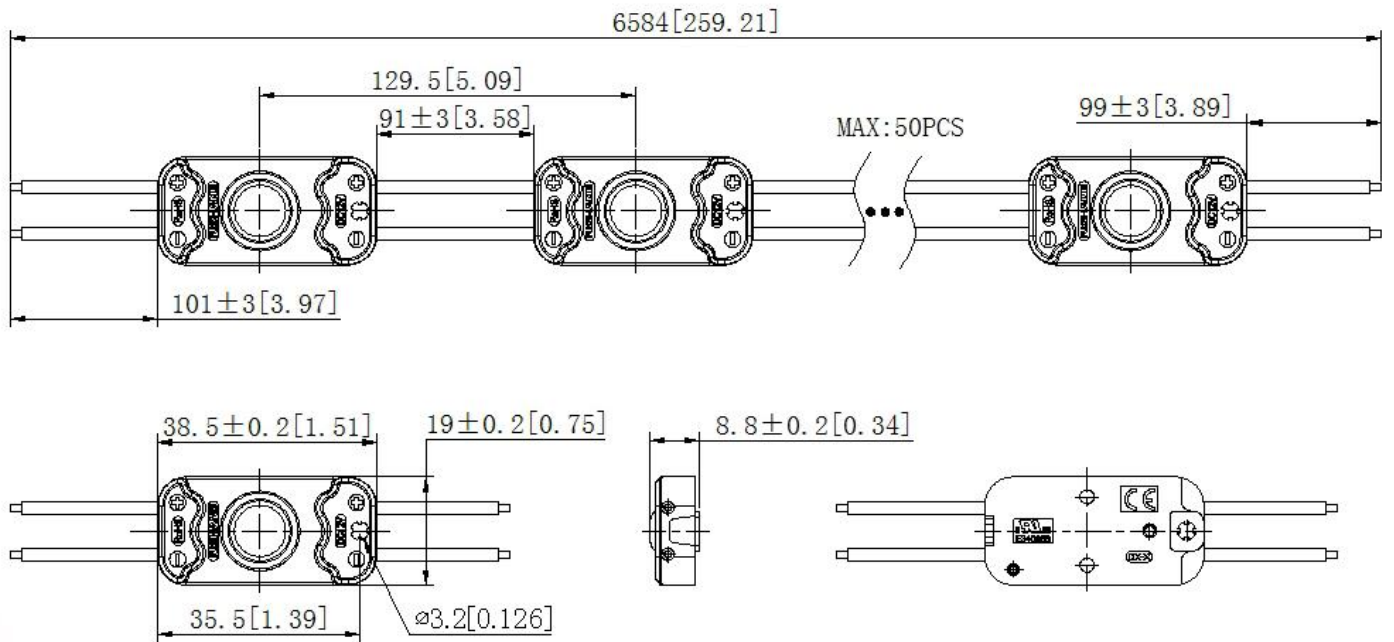
P/N	LED Color	Standard cascading qty (pcs)	Max. cascading qty		Single module weight		Operating Temperature		Storage Temperature		IP Grade
			Single-ended (pcs)	Double-ended (pcs)	(g)	(lb)	(°C)	(°F)	(°C)	(°F)	
M9D1TB	Pure White	50	50	100	9	0.019	-25~+60	-13~+140	-25~+70	-13~+158	IP65

### Notes:

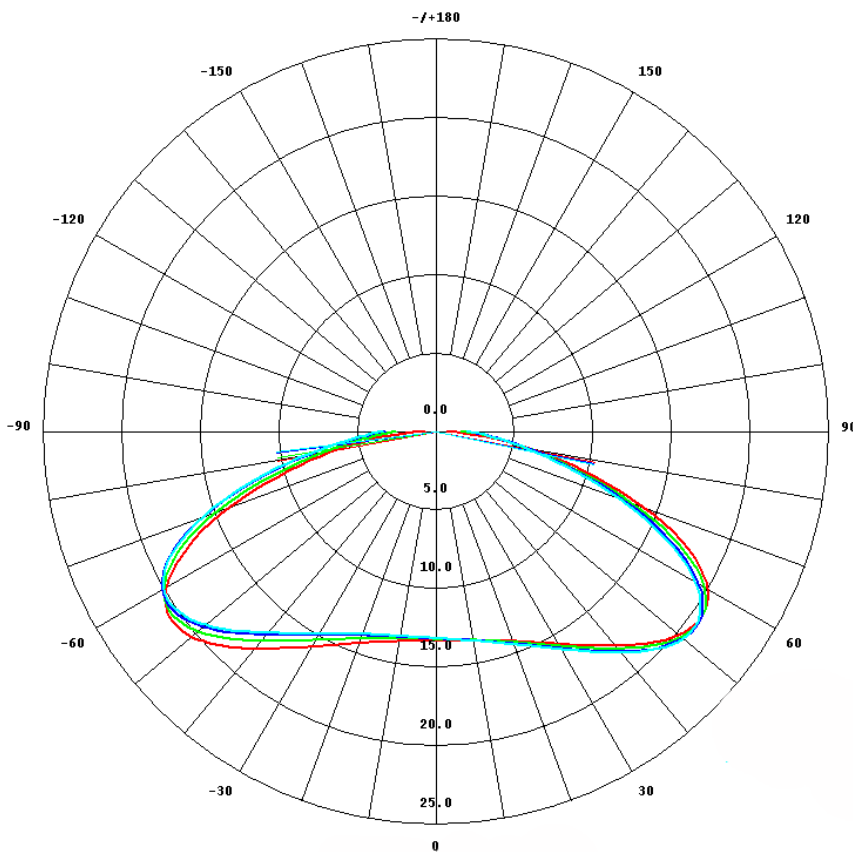
- ① Testing environment temperature: 25±2°C [77±3.6°F].
- ② The actual data of each single product may differ from above typical data which are subject to change without prior notice.
- ③ “-” in the above is SDCM parameters which are not required temporarily.
- ④ The “CRI” is actual data of product .

**Profile Drawings:**

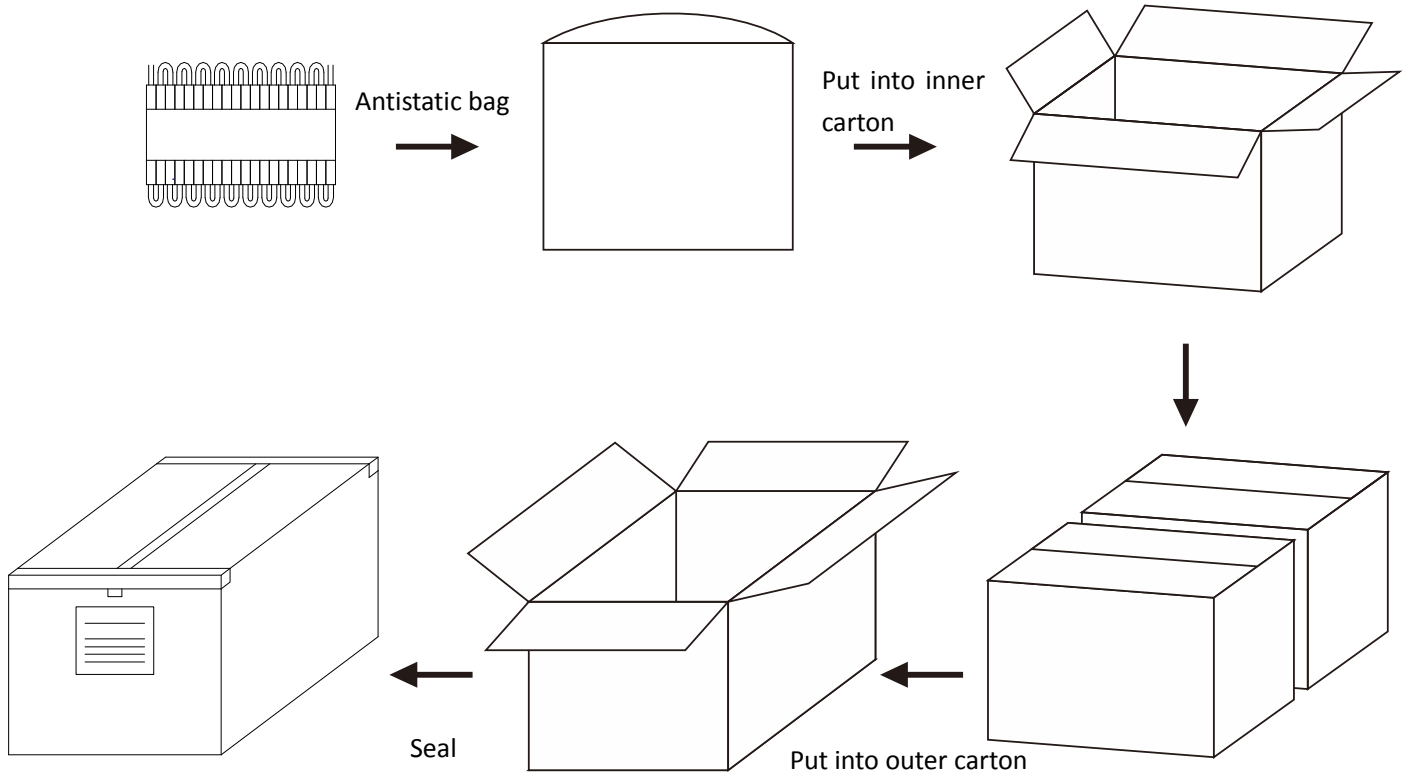
Unit: mm [in]



**Light Distribution:**



**Packaging Diagrams:**



**Packaging Information:**

1. Outer Carton: 52.8\*37.6\*27.2cm =0.0539 (1±10%) CBM [20.78\*14.80\*10.70in];
2. 100pcs modules per antistatic bag, 6 bags per inner carton, 2pcs inner cartons per outer carton, 1200pcs modules in total;
3. Net Weight (N.W) : 10.8 (1±10%) kg[23.80 (1±10%) lb];
4. Gross Weight (G.W) : 12.53 (1±10%) kg[27.62 (1±10%) lb];
5. The actual packed quantity and weight may subject to change without prior notice.