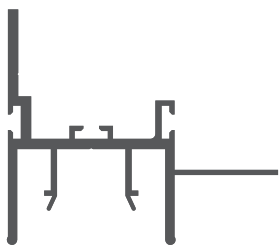


Parts needed to mount the FOLED-BOK extrusion



Extrusion (A)



Cover (B)



LED strip (C)



Stretched ceiling (D)

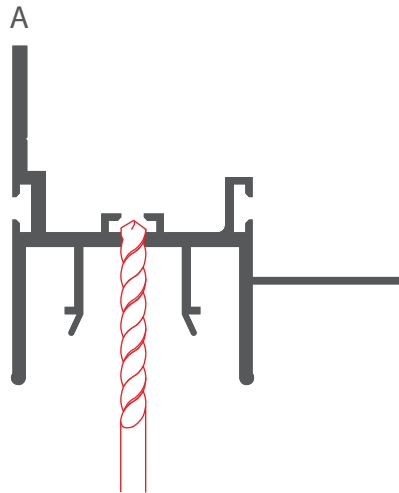
Tools needed for mounting:

- drill
- screwdriver
- screws
- hand saw

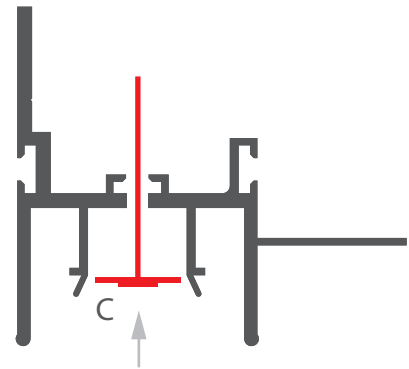
NOTE! All LED strips must be connected to a 12 V or 24 V power supply.

IMPORTANT: The manual presents the simplest mounting procedure.
More mounting procedures and related accessories can be found at klusdesign.com

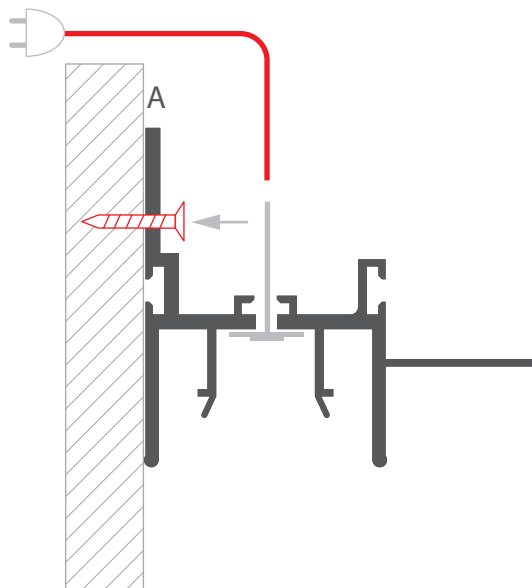
1. Drill holes in the extrusion (A) to lead out power cables.



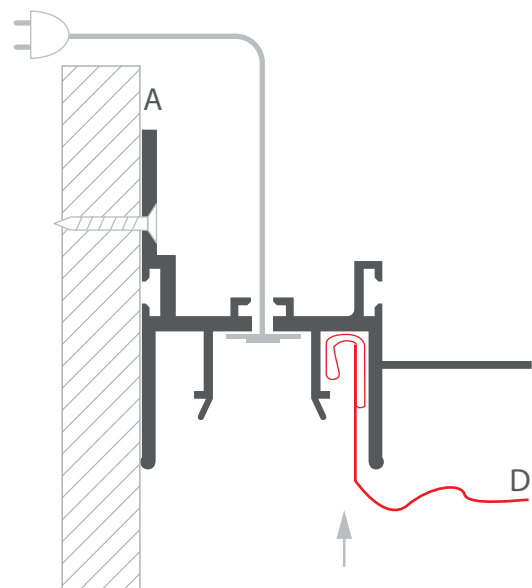
2. Mount the LED strip (C) and lead out the power cable.



3. Attach the extrusion (A) to the wall with screws and connect power.



4. Insert the hook of the stretched ceiling (D) into the extrusion (A).



5. Insert the cover (B).

