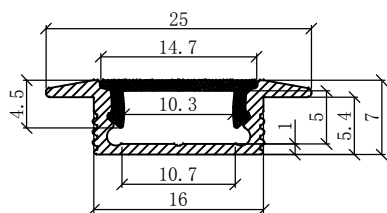
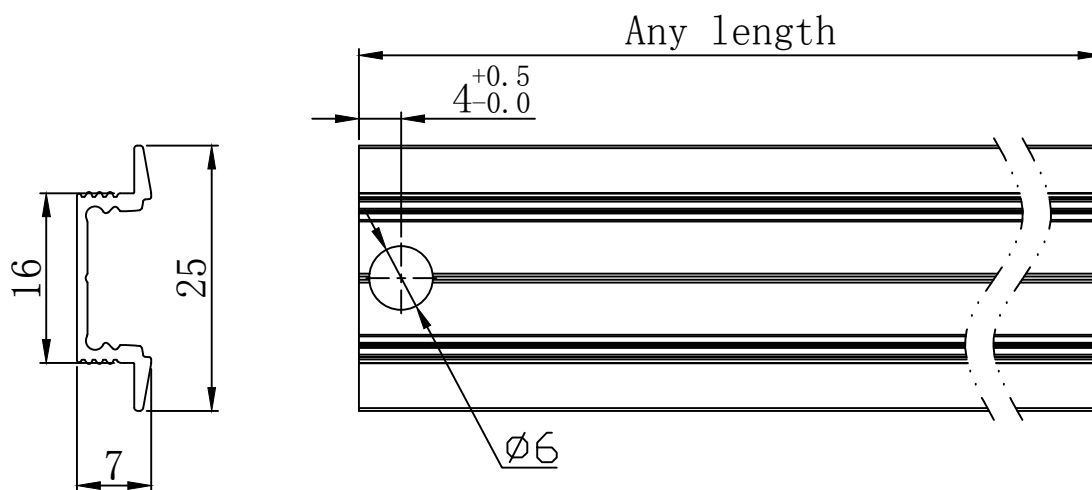


LE2507 sectional view



LE2507 recommended wire hole position of profile



LE2507 assembling size

