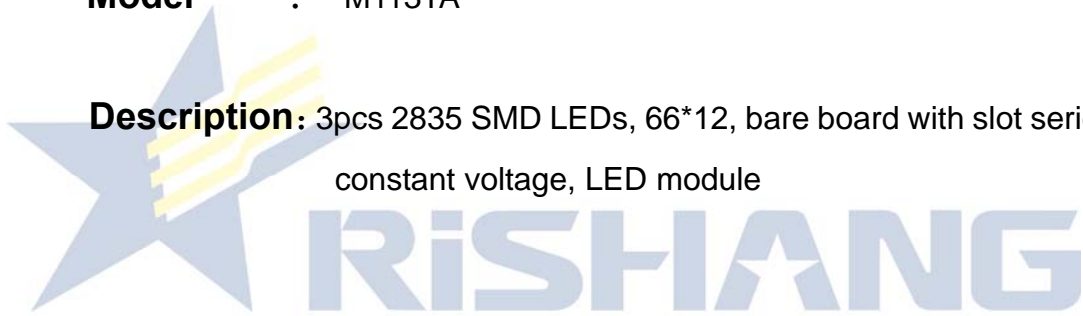


Specification

Model : M113TA

Description: 3pcs 2835 SMD LEDs, 66*12, bare board with slot series, 12Vdc,
constant voltage, LED module



Prepared by : _____

Checked by : _____

Standard Dept : _____

Approved by : _____

Issued Status: Draft Published

Specification

Product Name: LED module

Applications

Model: M113TA

Suitable for 8~18cm [3.14~7.08in] depth signage lighting, such as channel letter, light box etc.



Features

1. 2835 SMD LEDs with low luminance attenuation;
2. The max. cascading qty up to 20pcs
3. Protect from dust and water intrusion thanks to the adoption of pouring sealant technology;
4. CE, RoHS compliant.

Installation

1. PE foam double-sided adhesive backing on modules used as an installation aid only and screws for permanent fixing.
2. Can be cut between every module of a single string.



Warranty

3years or 13000 hours, whichever comes first.

RISHANG

Optical and Electrical Parameters:

P/N	LED Color	Color Temperature(K) Wavelength(nm)	Beam Angle (°)	Luminous Flux (lm/piece)	CRI	Luminous Efficacy (lm/W)	Working Voltage (V DC)	Working Current (mA/piece)	Power (W/piece)
M113TA	Warm white	3000	115	28	≥75	84.8	12	27.5	0.33
M113TA	Neural white	6000	115	28	≥75	84.8	12	27.5	0.33
M113TA	Cold white	9000	115	28	≥75	84.8	12	27.5	0.33
M113TA	Red	620-625	115	13	—	32.5	12	33.3	0.4
M113TA	Yellow	585-590	115	10.5	—	31.8	12	27.5	0.33
M113TA	Green	525-530	115	13.5	—	56.3	12	20	0.24
M113TA	Blue	465-470	115	3	—	12.5	12	20	0.24

Others:

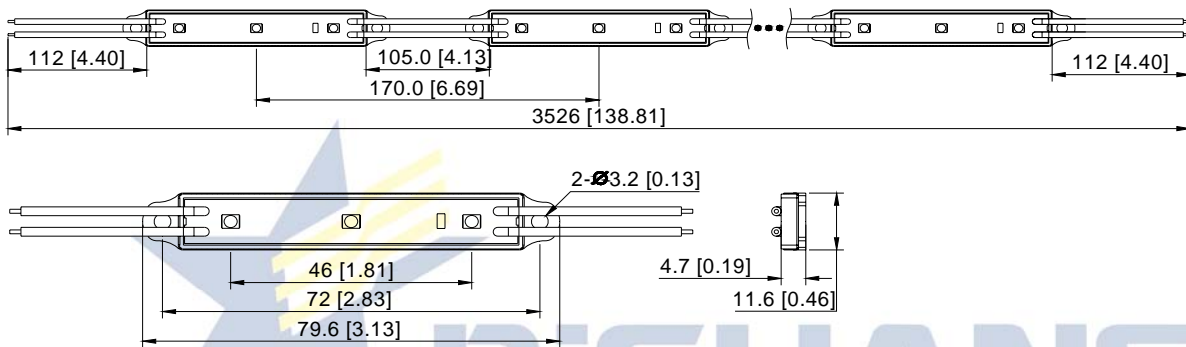
P/N	LED Color	Standard cascading qty (pcs)	Max. cascading qty single-ended (pcs)	Single module weight		Operating Temperature		Storage Temperature		IP Grade
				(g)	(lb)	(°C)	(°F)	(°C)	(°F)	
M113TA	White	20	20	5.6	0.0123	-25~+60	-13~+140	-25~+70	-13~+158	IP65
M113TA	Red									
M113TA	Yellow									
M113TA	Green									
M113TA	Blue									

Notes:

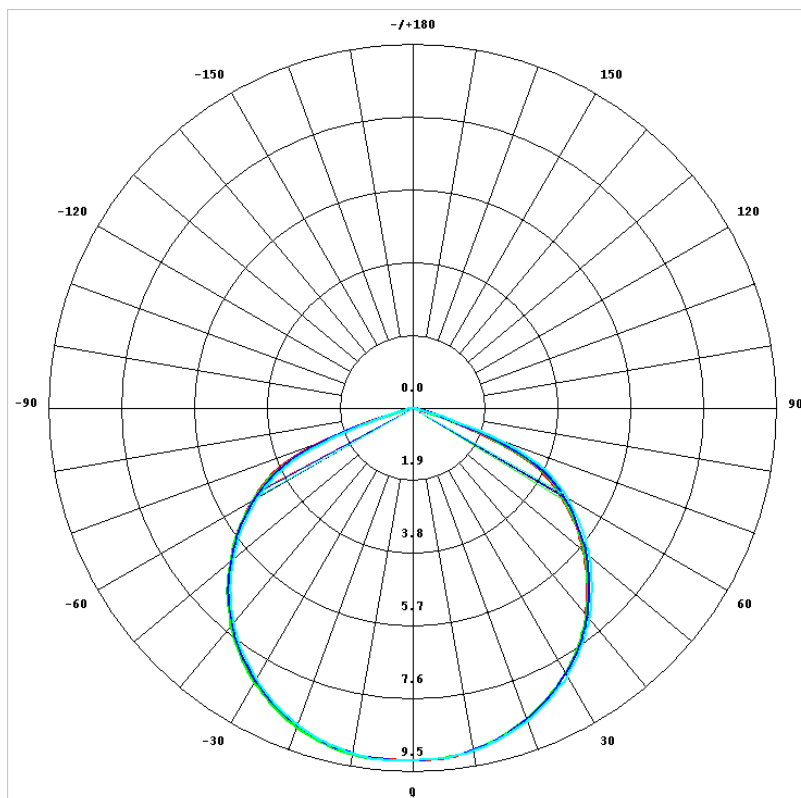
- ① Testing environment temperature: 25±2°C [77±3.6°F];
- ② The actual data of each single product may differ from above typical data which are subject to change without prior notice.

Profile Drawings:

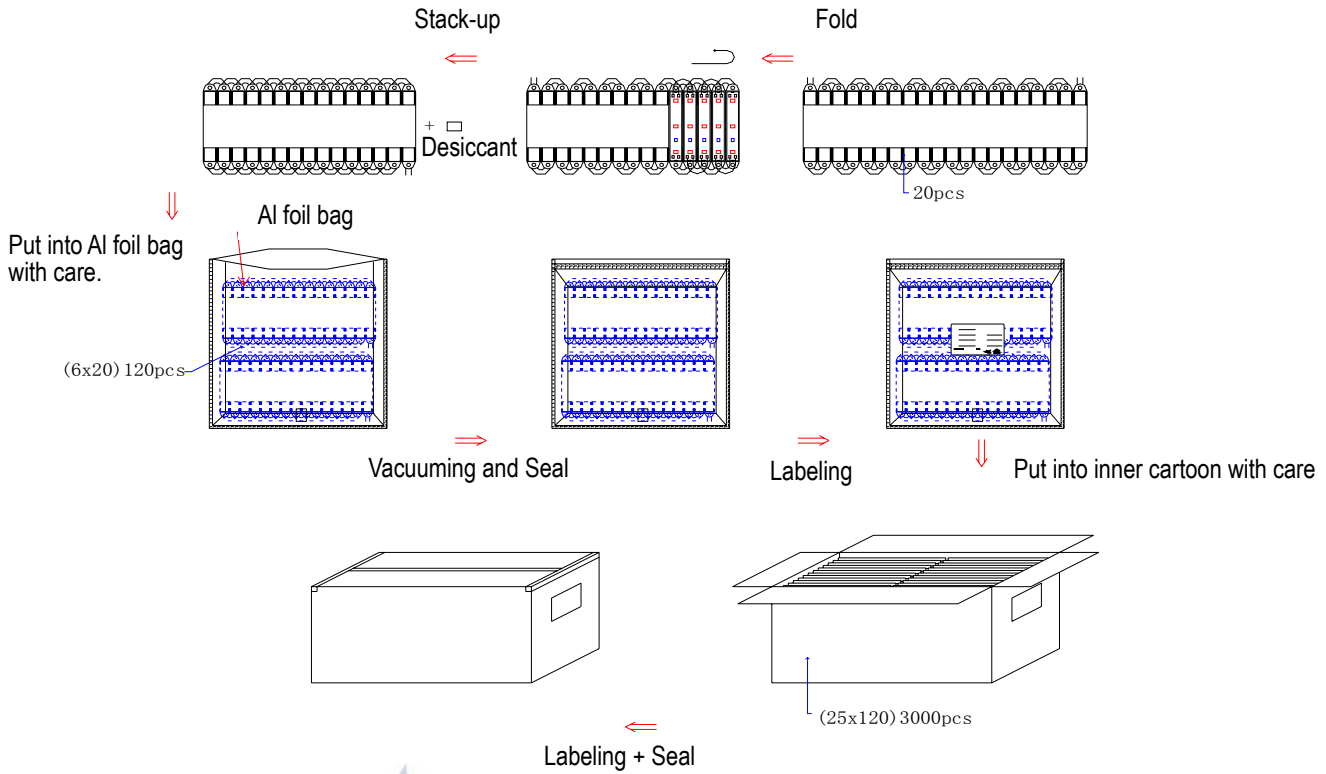
Unit: mm [in]



Light Distribution:



Packaging Diagrams:



Packaging Information:

1. Put this product into Al foil bag and then packaged into double-deck corrugated carton.
2. Carton Size: 528*376*272mm = 0.053 (1±10%) CBM [20.78*14.80*10.70in];
3. The cascading qty is 20pcs per string, 6strings per Al foil bag, and 25 of which per carton, 3000pcs in total.
4. Net Weight (N.W) : 16.78 (1±10%) kg [36.99 (1±10%) lb];
5. Gross Weight (G.W) : 17.67 (1±10%) kg [38.95 (1±10%) lb];
6. The actual packed quantity and weight may subject to change without prior notice.