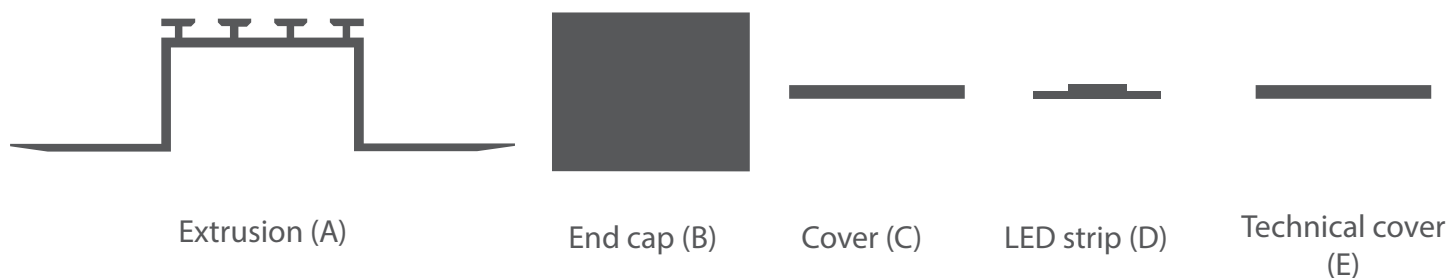


**Parts needed to mount the KOZUS extrusion**



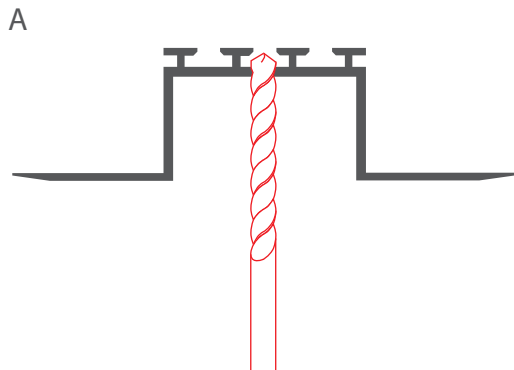
**Tools needed for mounting:**

- mounting glue

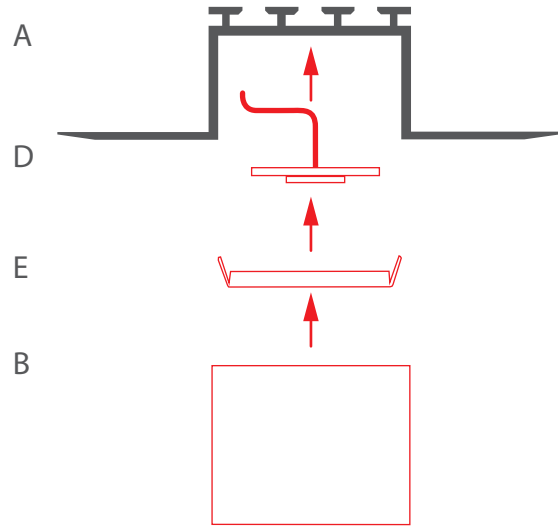
**WARNING!** All LED tapes should be connected to 12 V or 24 V power supplier, depending on the LED tape.

**IMPORTANT:** Instruction presents most basic form of montage.  
For more information visit [www.klusdesign.com](http://www.klusdesign.com)

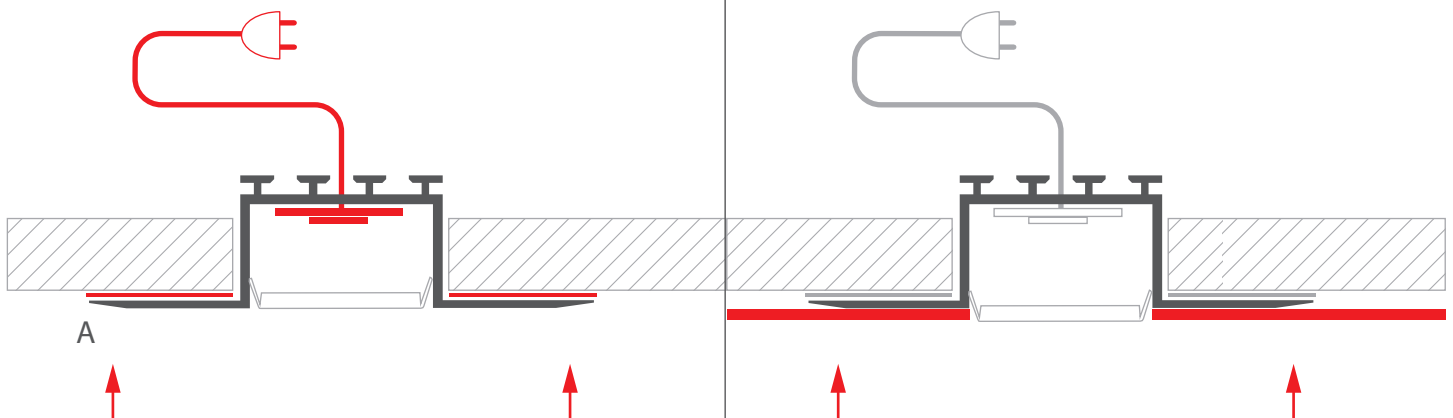
**1.** Drill a hole in the extrusion for the power cable.



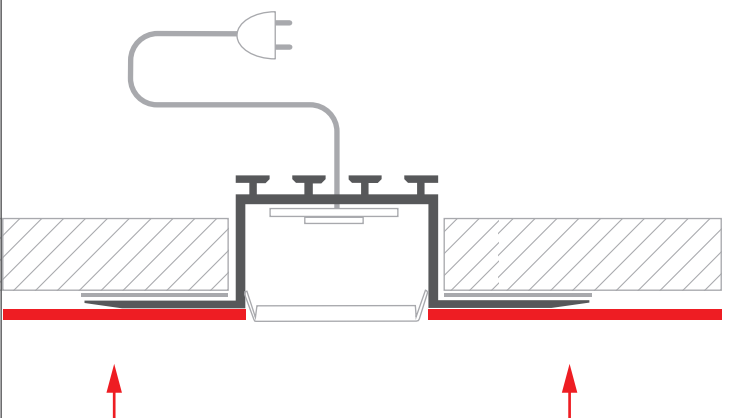
**2.** Mount the LED strip (D) in the extrusion, lead out the power cable, insert the technical cover (E) and then insert the end cap (B).



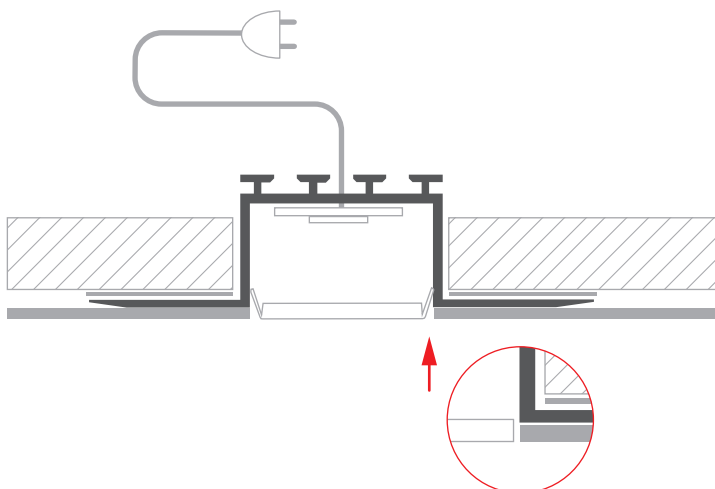
**3.** Attach the fixture (A) to the ceiling surface with glue and connect the power cable.



**4.** Apply a layer of plaster to the extrusion and ceiling, and then paint the surface to finish.



**5.** Slide a sharp tool between the extrusion and the cover (on both sides of the cover) to cut off the layer of plaster and paint from the cover. Next remove the technical cover.



**6.** Insert the cover (C) in place of technical cover (E).

