

## Полоска ARL-LB001D7GC 5W Green (50x7мм)

### Features

- Dimension: 50mm×7mm×1.8mm
- Single color.
- Emitting Color:Green
- Easy installation with screws.
- Package:100pcs/white box.
- High efficiency.
- Low power consumption.
- Long operating lifespan.
- High heat dissipation efficiency.
- RoHS compliant.

### Description

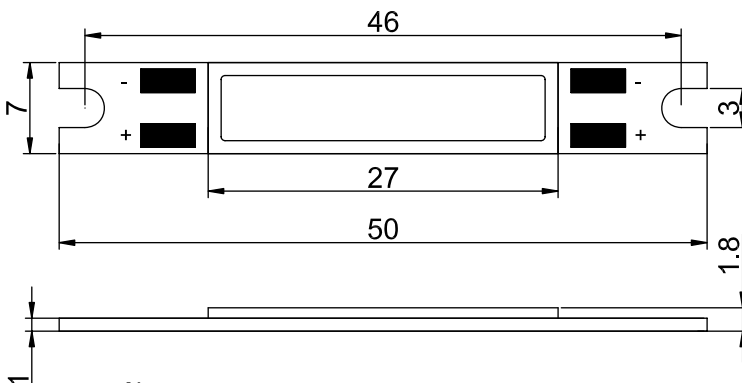
- The White source color devices are made with GaN on sapphire White Light Emitting Diode.



### Applications

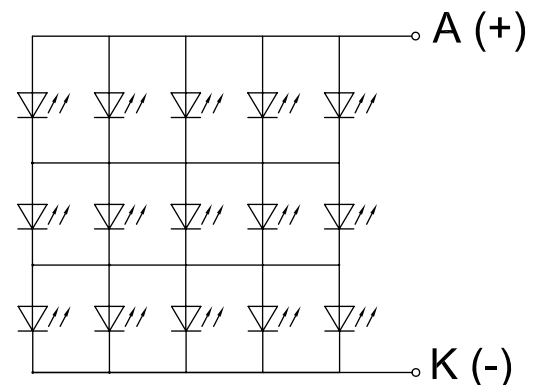
- Reading Lamp.
- Street Lamp.
- LED Backlight.
- Energy Saving Lamp.
- Decorative and Entertainment Lighting.
- Indoor and Outdoor Commercial Lighting.

### Package Dimensions



Notes:

1. All dimension units are millimeters.
2. All dimension tolerance is  $\pm 0.2\text{mm}$  unless otherwise noted.



Part No.	Chip		Lens Color
	Material	Emitting Color	
Полоска ARL-LB001D7G7 5W Green	GaN	Green	

### Electrical / Optical Characteristics at TA=25°C

Symbol	Parameter	Device	Min.	Typ.	Max.	Units	Test Conditions
VF	Forward Voltage (1)	Green	—	9.7	10.5	V	IF=500mA
2θ1/2	Viewing Angle(2)	Green	—	120	—	deg	IF=500mA
Φv	Luminous Intensity(3)	Green	120	140	—	lm	IF=500mA
nm	Color Temperature(4)	Green	520	—	530	nm	IF=500mA
IR	Reverse Current	Green	—	—	10	uA	VR = 5V
C	Capacitance	Green	—	100	—	pF	VF=0V;f=1MHz

Note:

1. Forward Voltage is measured with an accuracy of  $\pm 0.1\text{v}$ .
2.  $\theta_{1/2}$  is the angle from optical centerline where the luminous intensity is 1/2 the optical centerline value.
3. Luminous intensity is measured with the accuracy of  $\pm 10\%$ .
4. Color temperature measured with the accuracy  $\pm 200\text{K}$ .

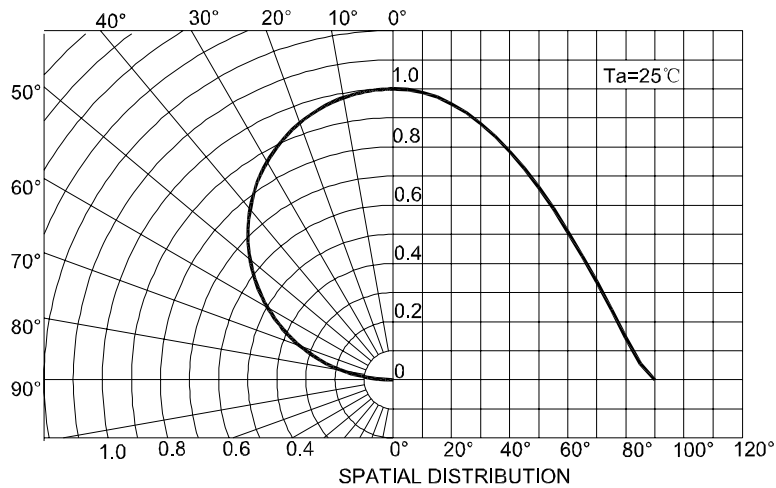
## Absolute Maximum Ratings at TA=25°C

Parameter	White	Units
Power dissipation	5	W
DC Forward Current	500	mA
Peak Forward Current [1]	1000	mA
Reverse Voltage	5	V
ESD Sensitivity	500	V
Junction temperature	125	°C
Soldering temperature	260	°C
Manual Soldering time at 260°C(Max)	5	sec
Operating Temperature Range	-30°C To +100°C	
Storage Temperature Range	-40°C To +120°C	

Note:

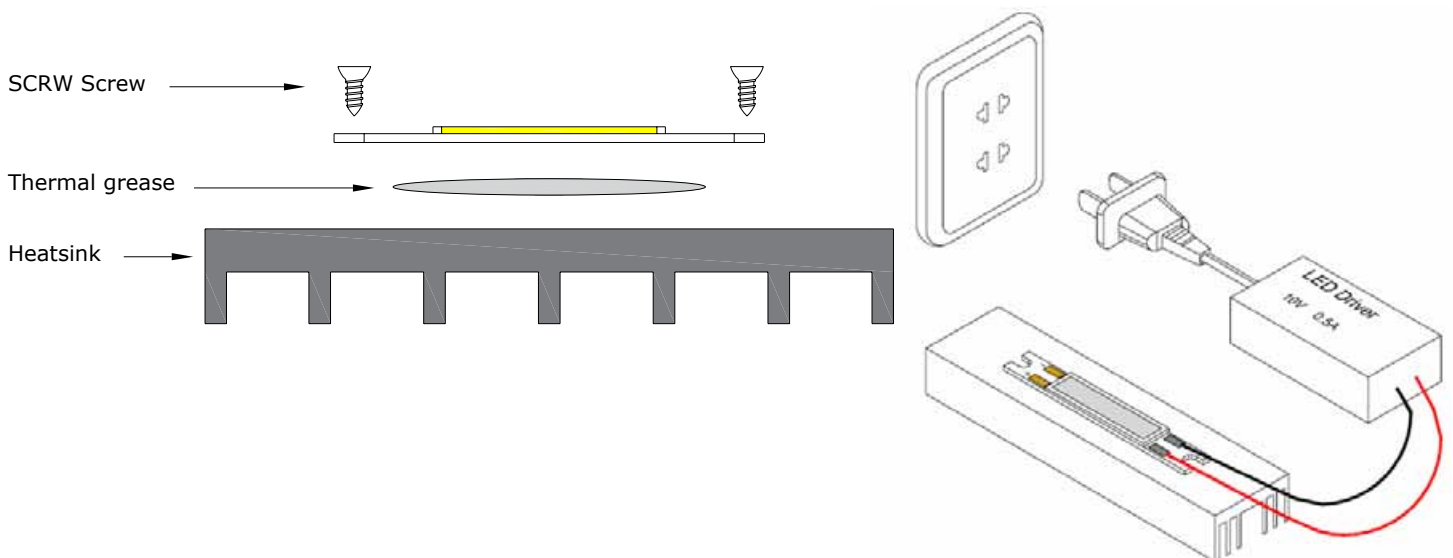
1. 1/10 Duty Cycle, 0.1ms Pulse Width.
2. The temperature of Aluminum PCB dose not exceed 55°C

## Spatial Distribution Graph



## Product Thermal Application Information

When assembling on PCB or heatsink carrier, thermal grease should be evenly speeded with a thickness < 100um.



# Typical Optical and Electrical Characteristics Curves

