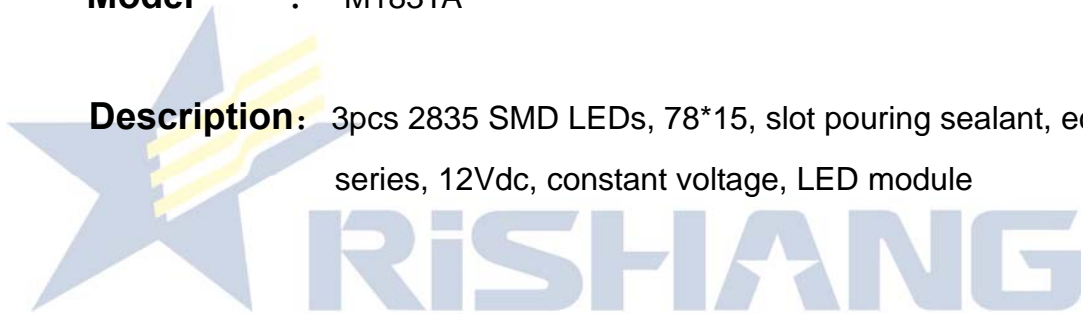


# Specification

**Model** : M183TA

**Description:** 3pcs 2835 SMD LEDs, 78\*15, slot pouring sealant, economic series, 12Vdc, constant voltage, LED module



**Prepared by** : \_\_\_\_\_

**Checked by** : \_\_\_\_\_

**Standard Dept** : \_\_\_\_\_

**Approved by** : \_\_\_\_\_

**Issued Status:**      Draft      Published

# Specification

**Product Name:** 2835 series  
LED module  
**Model:** M183TA

## Applications

Suitable for 8~16cm [3.14~6.29in] depth signage lighting, such as channel letter, light box etc.



## Features

1. 2835 SMD LEDs with low luminance attenuation;
2. The max. cascading qty up to 20pcs
3. Protect from dust and water intrusion thanks to the adoption of pouring sealant technology;
4. CE, RoHS compliant.

## Installation

1. PE foam double-sided adhesive backing on modules used as an installation aid only and screws for permanent fixing.
2. Can be cut between every module of a single string.



## Warranty

3years or 13000 hours, whichever comes first.

## Optical and Electrical Parameters:

P/N	LED Color	Color Temperature(K) Wavelength(nm)	Beam Angle (°)	Luminous Flux (lm/piece)	CRI	Luminous Efficacy (lm/W)	Working Voltage (V DC)	Working Current (mA/piece)	Power (W/piece)
M183TA	Warm white	3000	115	65	≥75	90.3	12	60	0.72
M183TA	Neutral white	6000	115	65	≥75	90.3	12	60	0.72
M183TA	Cold white	9000	115	65	≥75	90.3	12	60	0.72
M183TA	Red	620-625	115	18	—	25	12	60	0.72
M183TA	Yellow	585-590	115	18	—	25	12	60	0.72
M183TA	Green	525-530	115	33	—	46	12	60	0.72
M183TA	Blue	465-470	115	9	—	12.5	12	60	0.72

**Others:**

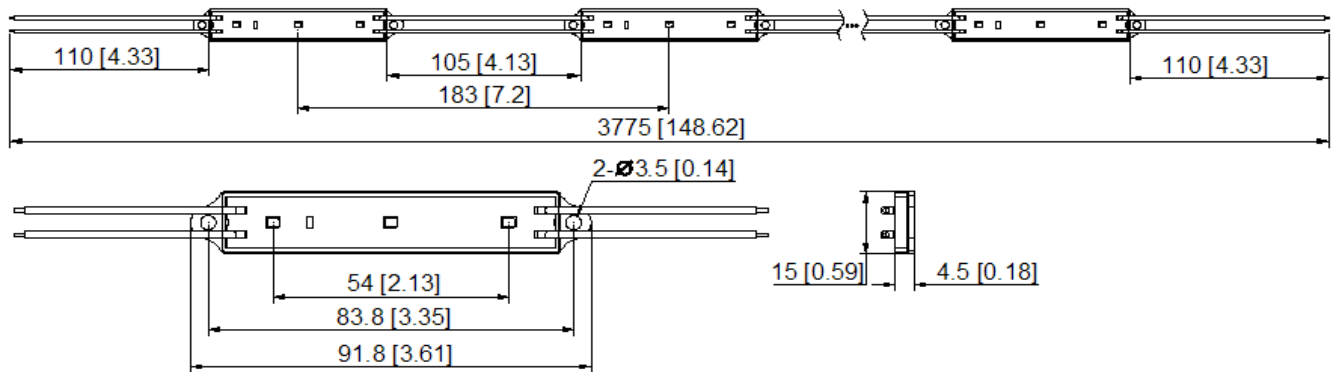
P/N	LED Color	Standard cascading qty (pcs)	Max. cascading qty single-ended (pcs)	Single module weight		Operating Temperature		Storage Temperature		IP Grade
				(g)	(lb)	(°C)	(°F)	(°C)	(°F)	
M183TA	White	20	20	7.1	0.01565	-25~+60	-13~+140	-25~+70	-13~+158	IP65
M183TA	Red									
M183TA	Yellow									
M183TA	Green									
M183TA	Blue									

**Notes:**

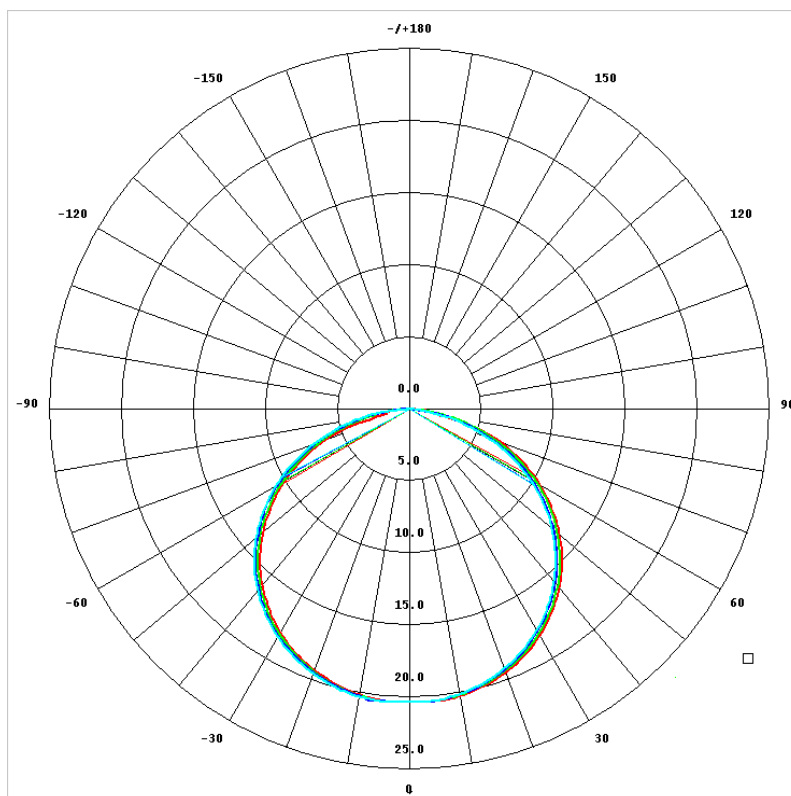
- ① Testing environment temperature: 25±2°C [77±3.6°F];
- ② The actual data of each single product may differ from above typical data which are subject to change without prior notice.

**Profile Drawings:**

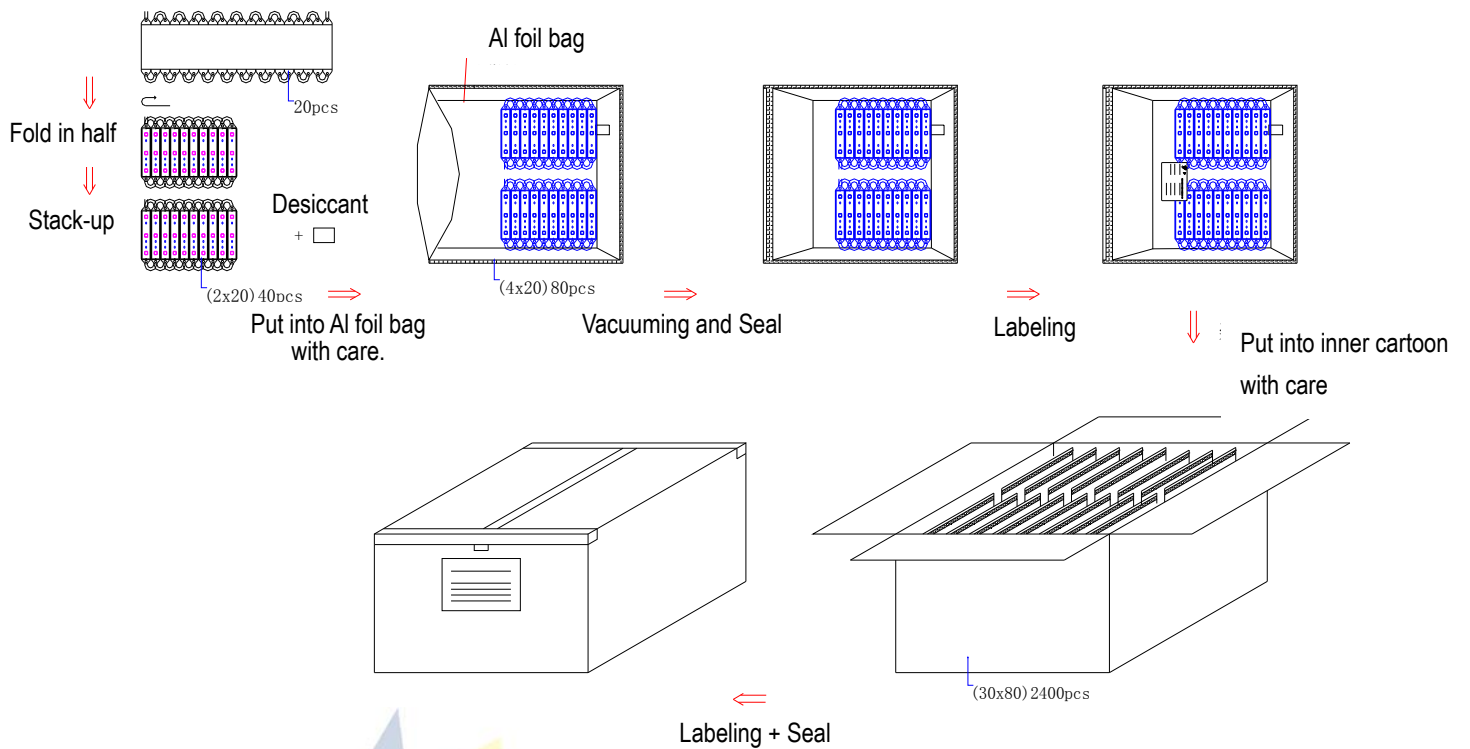
Unit: mm [in]



**Light Distribution:**



**Packaging Diagrams:**



**Packaging Information:**

1. Put this product into Al foil bag and then packaged into double-deck corrugated carton.
2. Carton Size: 528\*376\*272mm =0.053 (1±10%) CBM [20.78\*14.80\*10.70in];
3. The cascading qty is 20pcs per string, 4strings per Al foil bag, and 30 of which per carton, 2400pcs in total.
4. Net Weight (N.W) : 16.98 (1±10%) kg [37.43 (1±10%) lb];
5. Gross Weight (G.W) : 18.53 (1±10%) kg [40.85 (1±10%) lb];
6. The actual packed quantity and weight may subject to change without prior notice.