

Светильник DL240A-15W White

Features:

- Size: $\Phi 240 \times 12 \text{mm}$ (153 LEDs)
- Colour: White
- Net weight: 570g
- LED package: 3528
- Printed circuit board thickness: 0.2mm
- PCB material: FPC
- Cold-rolled plate as the bottom with aluminum + PMMA cover
- Energy-saving, high brightness, long lifespan, environmental protection, safe
- free of mercury and other harmful material
- Easy for installation
- 2 Years Warranty



Product Features:

Input voltage(AC)	85~265V
Working current	500mA
Working voltage(DC)	27V
Power	15.3W
Luminous flux	1100 Lm
Color temperature	5500-7500 K
Dimensions	$\Phi 240 \times 12 \text{mm}$
Working temperature	$-30 \sim +50 \text{ }^\circ\text{C}$
Storage humidity	10% ~ 90% RH
Power factor	0.8 ± 0.05 (With power)
LED view angle ($2\theta_{1/2}$)	120°

Note: Absolute maximum rating at $T_A = 25^\circ\text{C}$

Application:

- Hotels
- Conference / Meeting rooms
- Factories & Offices
- Commercial Purposes.
- Residential / Institution Buildings
- Schools, Colleges & Universities

Package:

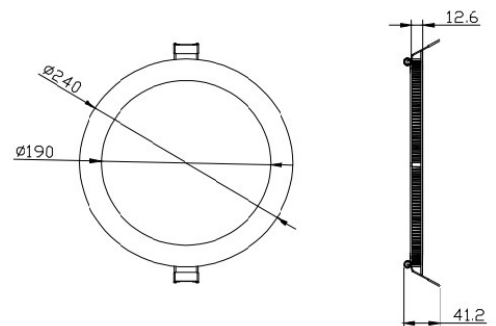


1 pcs

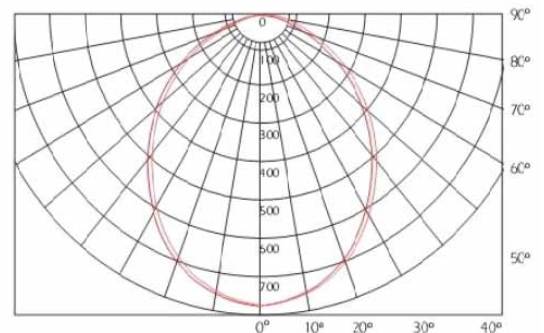


1pcs / carton

Dimension (Unit:mm):



Photometric curve:



Illumination table:

Height	LUX
1m	328
2.0m	91
2.5m	60
3.0m	42

Note: The above parameters are for reference only, are subject to change without further notice