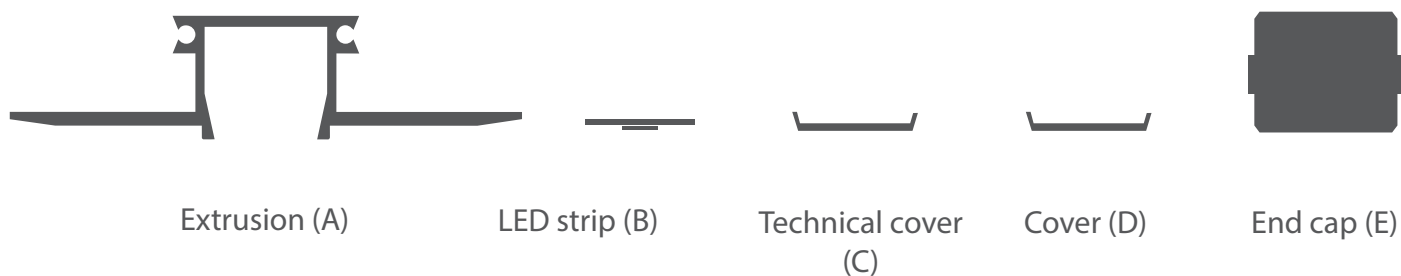


**Parts needed to mount the KOZMA profile**



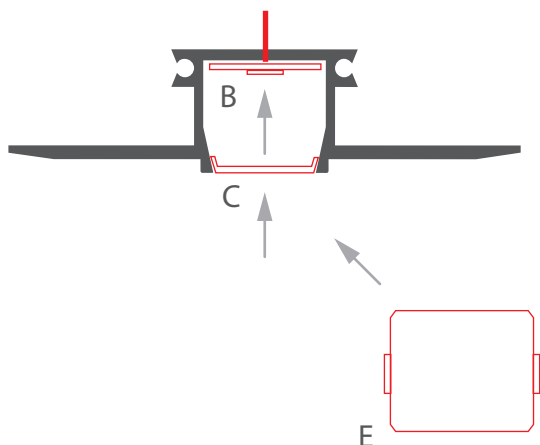
**Tools needed for mounting:**

- mounting glue

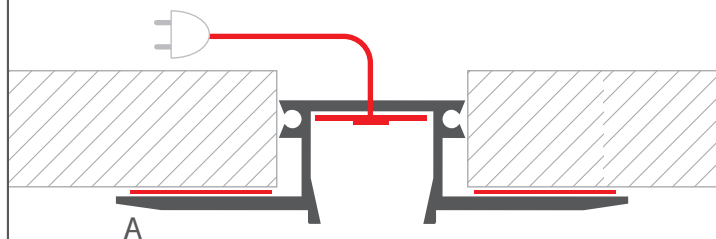
**WARNING!** All LED tapes should be connected to 12 V or 24 V power supplier, depending on the LED tape.

**IMPORTANT:** Instruction presents most basic form of montage.  
For more information visit [www.klusdesign.eu/uk](http://www.klusdesign.eu/uk)

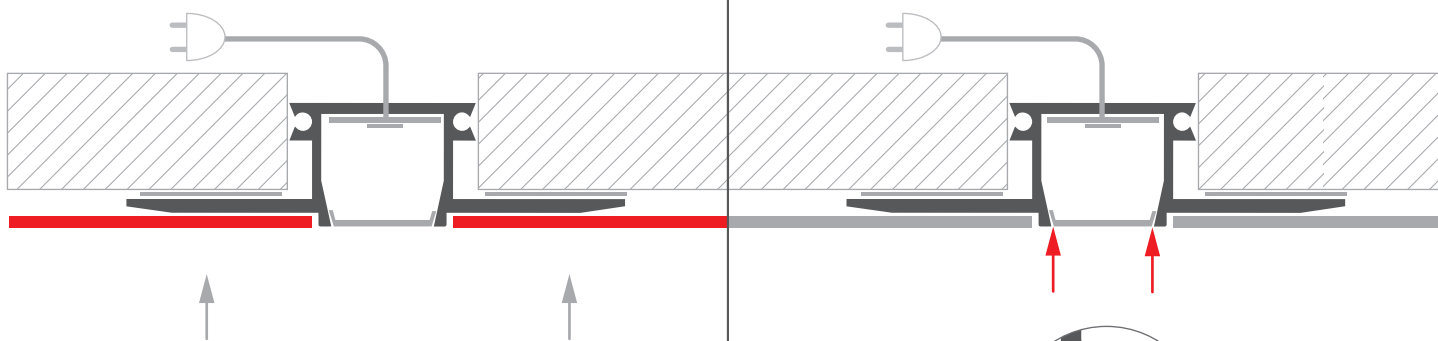
**1.** Mount the LED strip (B) in the extrusion, lead out the power cable, insert the technical cover (C) and then insert the end caps (E).



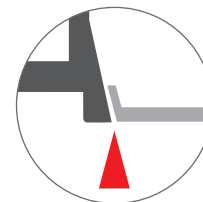
**2.** Attach the fixture (A) to the ceiling surface and connect the power cable.



**3.** Apply a layer of plaster to the extrusion and the ceiling and then paint the surface.



**4.** Slide a sharp tool between the extrusion and the cover (on both sides of the cover) to cut off the layer of plaster and paint from the cover.



**5.** Remove the technical cover (C) and then insert the proper cover (D).

