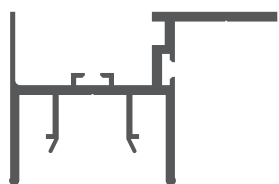


**Parts needed to mount the FOLED-SUF-v1 profile**



Extrusion (A)



Cover (B)



LED strip (C)



Stretched ceiling (D)

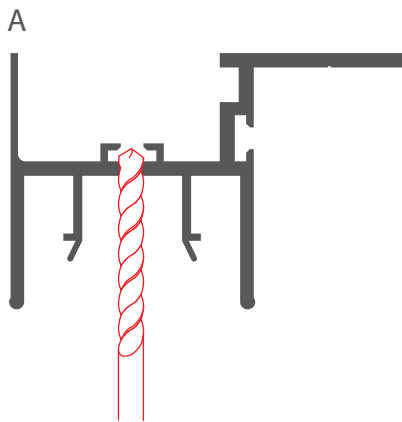
**Tools needed for mounting:**

- drill
- screwdriver
- screws
- hand saw

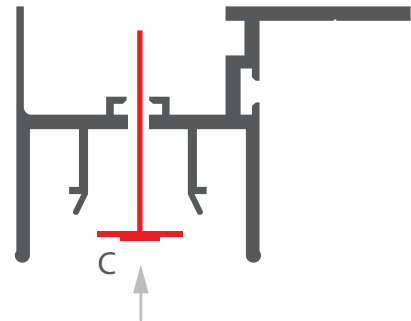
**NOTE!** All LED strips must be connected to a 12 V or 24 V power supply.

**IMPORTANT:** The manual presents the simplest mounting procedure.  
More mounting procedures and related accessories can be found at [www.klusdesign.eu/uk](http://www.klusdesign.eu/uk)

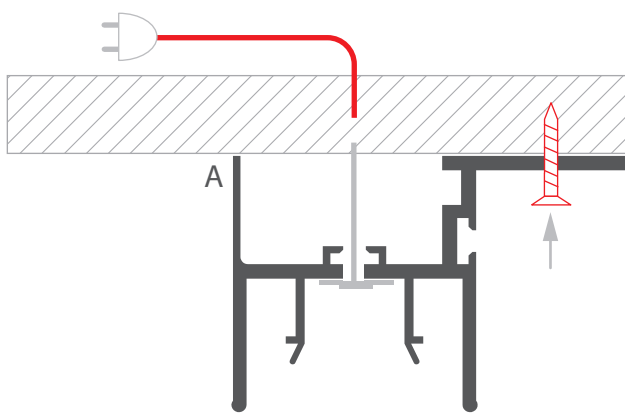
**1.** Drill holes in the extrusion (A) to lead out power cables.



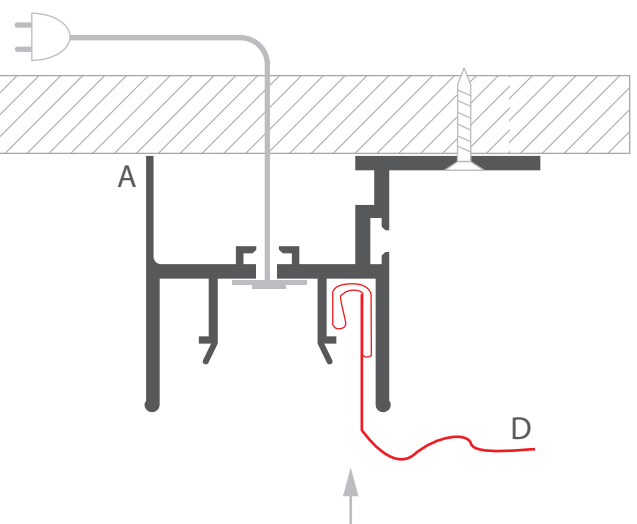
**2.** Mount the LED strip (C) and lead out the power cable



**3.** Mount the extrusion (A) to the ceiling with screws and connect power.



**4.** Insert the hook of the stretched ceiling (D) into the extrusion (A).



**5.** Insert the cover (B).

