


ITEM CODE: M22GX00A

Features:

	<p>1.high lumen 2835 led,35LM/led, 2.160 degree lens for better light distribution and light uniform 3.CHIMEI ABS Housing, fire proof、anti-static; 5.Exposed Aluminium PCB,better and faster heat release, 6.For Channel letters,all kinds of signs and signages</p>
--	--

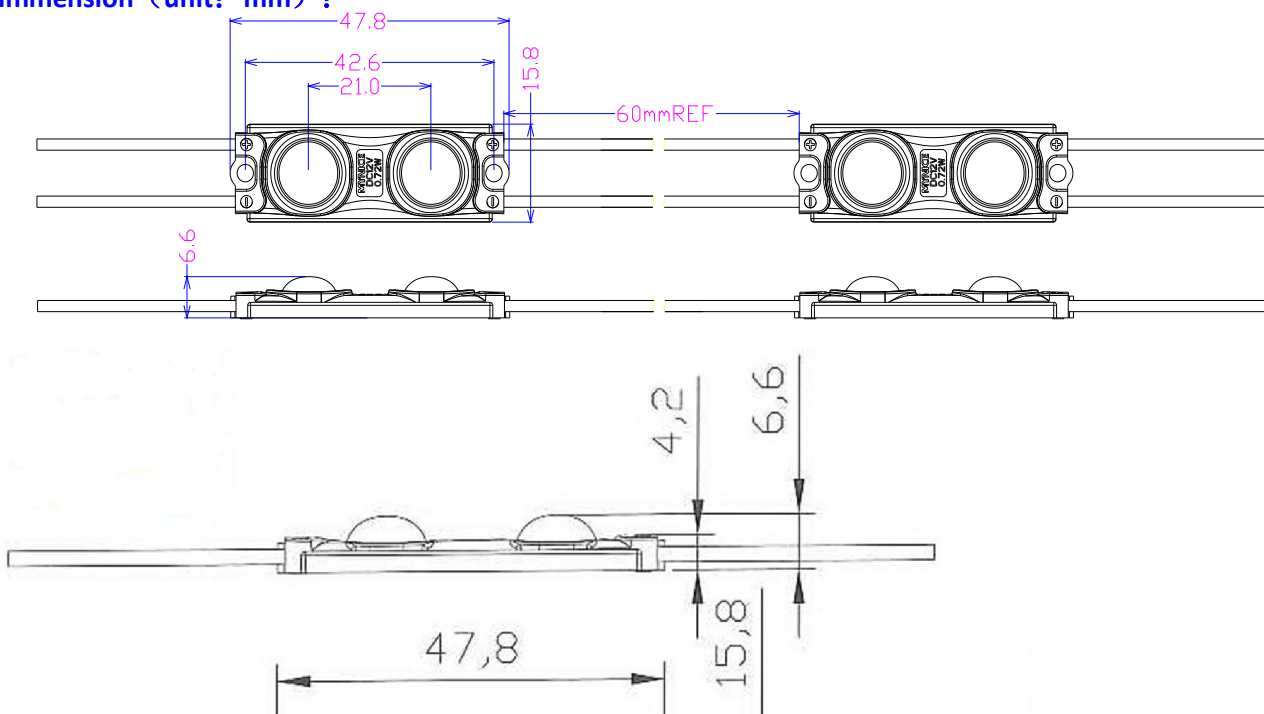
Data:

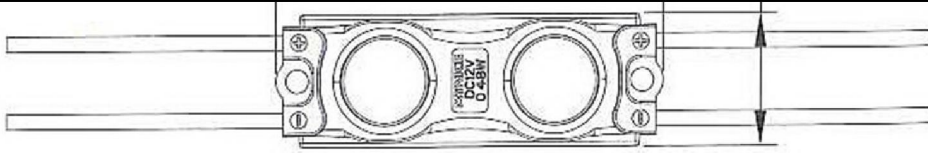
ITEM CODE	LED type	Angle	color	lumen(lm)	CCT(K)	Input voltage(V)	power(W)	led life time
M22AN00A	TOP 2835	≥150	warm white	70	2700-3300	DC12V	0.72W/pcs	50 000h
M22AW00A		≥150	white	70	5500-6500			
M22GR00A		≥150	cool white	70	8000-12000			
M222GR00A		≥150	RED	16	625-630			
M22GG00A		≥150	Green	34	520-525			
M22GB00A		≥150	Blue	10	465-470			

Other data

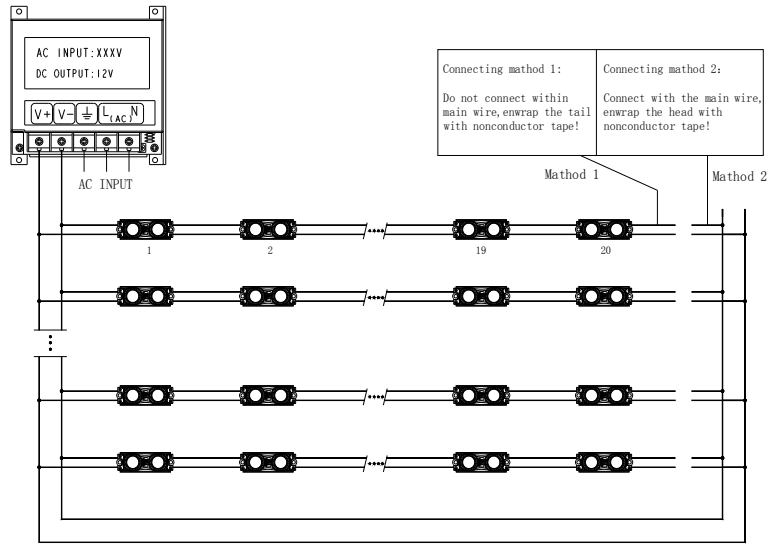
LED Qty	Qty/channel	IP level	Housing	IP Level	Working temperature	Storage temperature
2pcs	≤20pcs	IP65	LG ABS	IP 65	-25℃ --- +50℃	-50℃ --- +60℃

Dimension (unit: mm) :





connection chart:



light distribution

